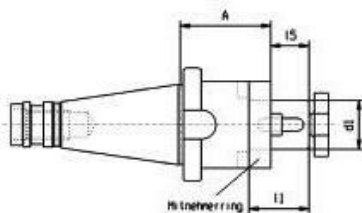


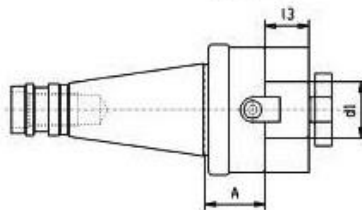
CONES ISO DIN 2080 PARA FREZAS DE COROA - CONES ISO DIN 2080 PARA FREZAS DE FACEJAR

Combination shell mill adaptors, DIN 2080



SK	d1 mm	A mm	l1 mm	l5 mm		Order no
SK 30	13	35	22	12	●	13-7332-30-13
SK 30	16	35	27	17	●	13-7332-30-16
SK 30	22	35	31	19	●	13-7332-30-22
SK 30	27	35	33	21	●	13-7332-30-27
SK 40	13	52	22	12	●	13-7332-40-13
SK 40	16	52	27	17	●	13-7332-40-16
SK 40	22	52	32	19	●	13-7332-40-22
SK 40	27	52	33	21	●	13-7332-40-27
SK 40	32	52	38	24	●	13-7332-40-32
SK 40	40	52	41	27	●	13-7332-40-40
SK 50	16	55	27	17	●	13-7332-50-16
SK 50	22	55	31	19	●	13-7332-50-22
SK 50	27	55	33	21	●	13-7332-50-27
SK 50	32	55	38	24	●	13-7332-50-32
SK 50	40	55	41	27	●	13-7332-50-40
SK 50	50	55	46	30	▶	13-7332-50-50

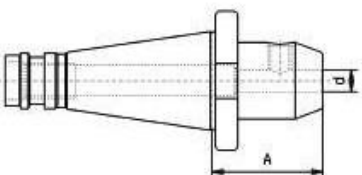
Face mill holders, DIN 2080



SK	d1 mm	A mm	l3 mm	Art.-Nr/ Order no
SK 40	22	30	19	● 13-7311-40-22
SK 40	27	30	21	● 13-7311-40-27
SK 40	32	30	24	● 13-7311-40-32
SK 40	40	30	27	● 13-7311-40-40
SK 50	22	35	19	● 13-7311-50-22
SK 50	27	35	21	● 13-7311-50-27
SK 50	32	40	24	● 13-7311-50-32
SK 50	40	35	27	● 13-7311-50-40
SK 50	50	40	30	▶ 13-7311-50-50

CONES ISO DIN 2080 PARA FREZAS WELDON

End mill adaptors WELDON, DIN 2080



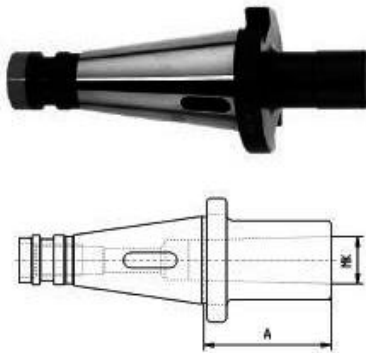
SK	d mm	A mm	Order no
SK 40	6	50	● 13-7620-40-6-50
SK 40	8	50	● 13-7620-40-8-50
SK 40	10	50	● 13-7620-40-10-50
SK 40	12	50	● 13-7620-40-12-50
SK 40	14	50	● 13-7620-40-14-50
SK 40	16	63	● 13-7620-40-16-63
SK 40	20	63	● 13-7620-40-20-63
SK 40	25	80	● 13-7620-40-25-80
SK 40	32	80	● 13-7620-40-32-80
SK 50	6	63	● 13-7620-50-6-63
SK 50	8	63	● 13-7620-50-8-63
SK 50	10	63	● 13-7620-50-10-63
SK 50	12	63	● 13-7620-50-12-63
SK 50	14	63	● 13-7620-50-14-63
SK 50	16	63	● 13-7620-50-16-63
SK 50	20	63	● 13-7620-50-20-63
SK 50	25	80	● 13-7620-50-25-80
SK 50	32	80	● 13-7620-50-32-80
SK 50	40	90	▶ 13-7620-50-40-90



Drill chuck adaptors, DIN 2080

SK	Kegel/ Taper	A mm		Order no
SK 40	B12	17	●	13-5370-40-B12
SK 40	B16	17	●	13-5370-40-B16
SK 40	B18	17	●	13-5370-40-B18
SK 50	B16	20	●	13-5370-50-B16
SK 50	B18	20	●	13-5370-50-B18

Reducing adaptors for MT tools with tang, DIN 2080



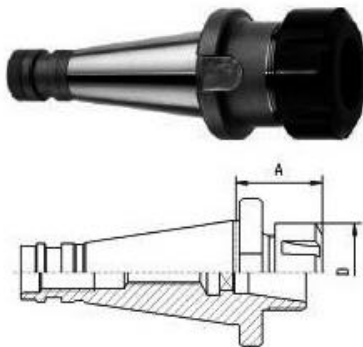
SK	MK	A mm		Order no
SK 40	1	50	●	13-1679-40/1
SK 40	2	50	●	13-1679-40/2
SK 40	3	70	●	13-1679-40/3
SK 40	4	95	●	13-1679-40/4
SK 50	1	45	●	13-1679-50/1
SK 50	2	50	●	13-1679-50/2
SK 50	3	65	●	13-1679-50/3
SK 50	4	70	●	13-1679-50/4
SK 50	5	105	●	13-1679-50/5

Reducing adaptors for MT tools with thread, DIN 2080

with thread DIN 6364

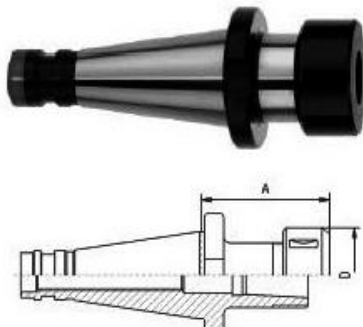


SK	MK	A mm		Order no
SK 40	1	50	●	13-1676-40/1
SK 40	2	50	●	13-1676-40/2
SK 40	3	70	●	13-1676-40/3
SK 40	4	95	●	13-1676-40/4
SK 50	1	45	●	13-1676-50/1
SK 50	2	60	●	13-1676-50/2
SK 50	3	65	●	13-1676-50/3
SK 50	4	70	●	13-1676-50/4
SK 50	5	120	●	13-1676-50/5



Collet chucks ER, DIN 2080

SK	ER	A mm	D mm	Order no
SK 40	ER 16	50	28	● 13-7616-40-16
SK 40	ER 25	50	42	● 13-7616-40-25
SK 40	ER 32	45	50	● 13-7616-40-32
SK 40	ER 40	80	63	● 13-7616-40-40
SK 50	ER 32	70	50	● 13-7616-50-32
SK 50	ER 40	80	63	● 13-7616-50-40

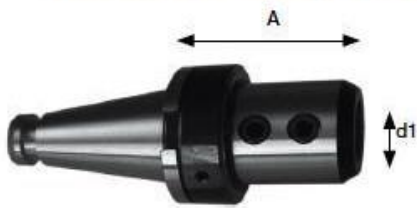


Collet chucks OZ, DIN 2080

SK	Collet	A mm	D mm	Order no
SK 40	OZ16 (415E)	70	43	▶ 13-7605-40-16
SK 40	OZ25 (462E)	70	60	▶ 13-7605-40-25
SK 40	OZ32 (467E)	80	72	▶ 13-7605-40-32
SK 50	OZ32 (467E)	80	72	▶ 13-7605-50-32

CONES ISO DIN 2080 PARA FREZAS WELDON E COM ANEL DE REFRIGERAÇÃO – REDUÇÕES – ARVORES PARA FREZADORAS

Weldon chuck with cooling agent ring, DIN 2080



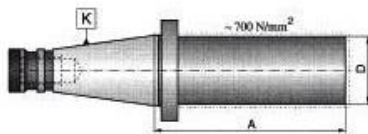
- with cooling agent ring for internal coolant supply
- according to DIN 1835B

SK	d1 mm	A mm	Order no
SK 40	20	70	09-FSKR-ISO-40-20
SK 40	25	100	09-FSKR-ISO-40-25
SK 40	32	110	09-FSKR-ISO-40-32
SK 40	40	120	09-FSKR-ISO-40-40
SK 50	20	70	09-FSKR-ISO-50-20
SK 50	25	100	09-FSKR-ISO-50-25
SK 50	32	110	09-FSKR-ISO-50-32
SK 50	40	120	09-FSKR-ISO-50-40

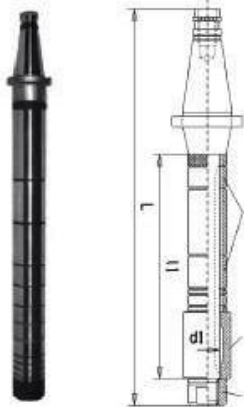


Suitable reduction sleeves see page 197.

Blanks, DIN 2080



SK	D mm	A mm	Weight	Order no
SK 40	40	250	4	13-2190-40-40-250
SK 40	63	160	8	13-2190-40-63-160
SK 40	63	250	8	13-2190-40-63-250
SK 50	97	315	7	13-2190-50-97-315



Long milling arbors DIN 6355

Arbor with nut, end ring and feather key
Form A: 40x13x315 - 50x60x800 auf Anfrage / on request

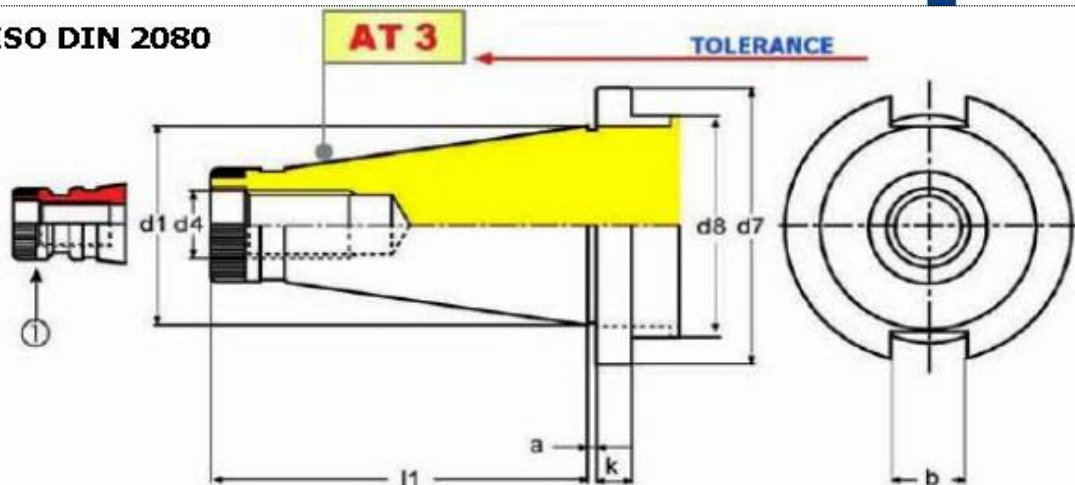
Arbor with nut, spacing collars, end ring and feather key
Form B: 40x13x315 - 50x60x800 auf Anfrage / on request

Arbor with nut, spacing collars, 1 sleeve, end ring and feather key
Form C: 40x13x315 - 50x60x800 auf Anfrage / on request

Arbor with nut, spacing collars, 2 sleeves, end ring and feather key
Form D: 40x13x315 - 50x60x800 auf Anfrage / on request

Order no
13-7175-?
13-7178-?
13-7181-?
13-7184-?

NORMA ISO DIN 2080



CONO TAPER	d1	a	b	d4	d7	l1	k	d8
ISO 30	31,75	1,6	16,1	M12	50	68,4	8	36
ISO 40 ①	44,45	1,6	16,1	M15	53	93,4	10	50
ISO 50	69,85	3,2	25,7	M24	97,5	126,8	12	78